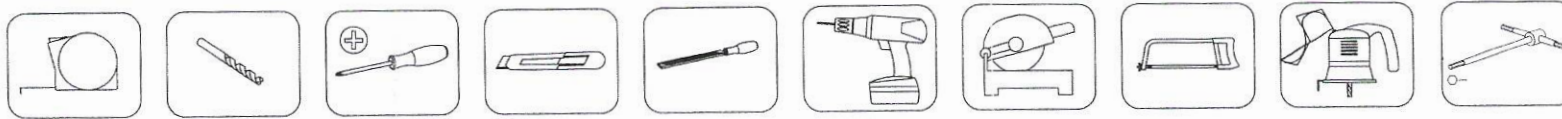
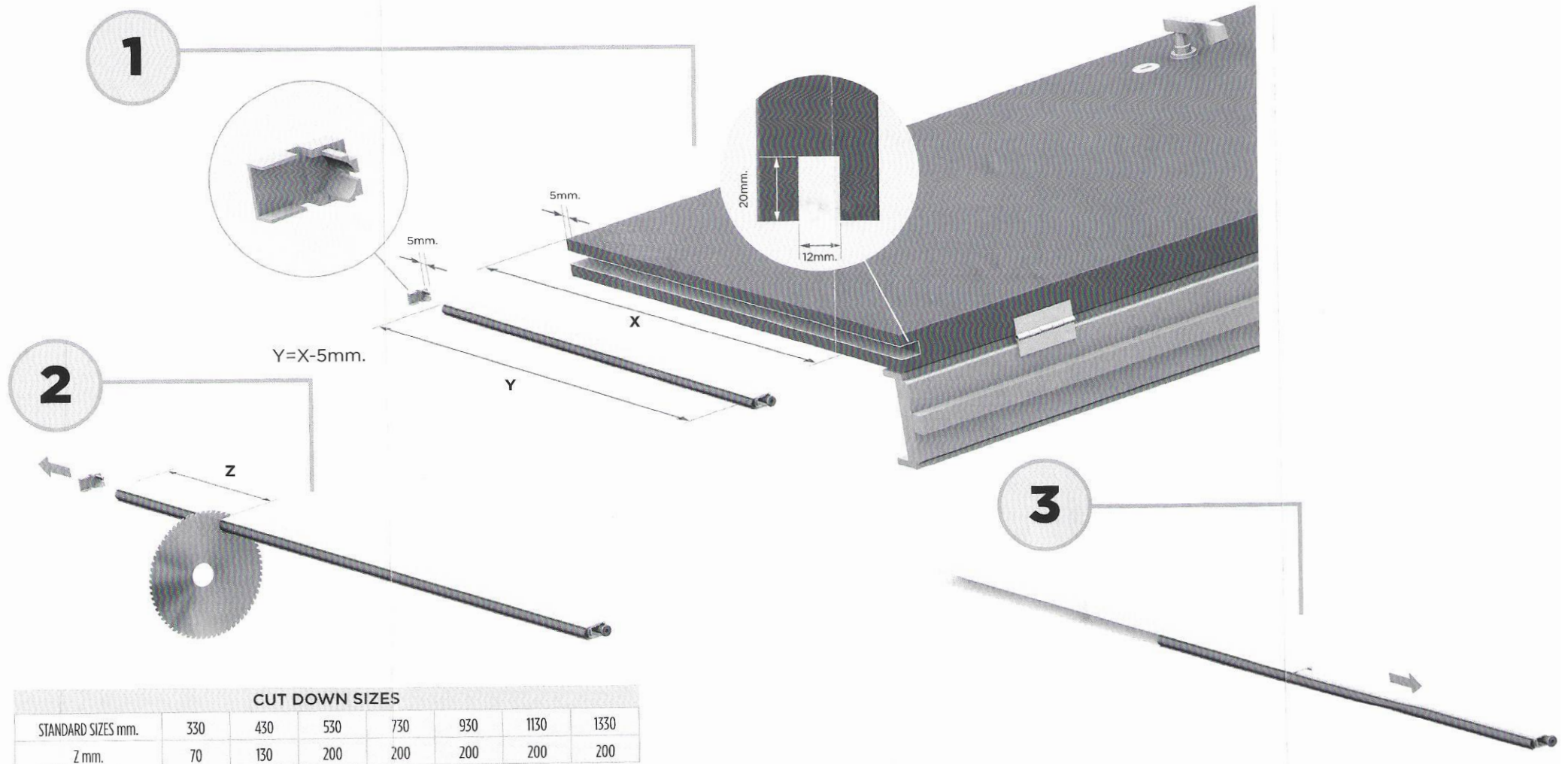


Toolfix Dropdown Seal

Fitting Instructions



TOOLS REQUIRED



		CUT DOWN SIZES						
STANDARD SIZES mm.		330	430	530	730	930	1130	1330
Z mm.		70	130	200	200	200	200	200

Toolfix Dropdown Seal

Fitting Instructions

